

THE WORK PRO™

by Mi-T-M®

8650 Enterprise Drive, Peosta IA 52068
319-556-7484 / Fax 319-556-1235

PARTS LIST FOR WP-3000-0MIB/VB WP-3003-0MHB

ENGINE OIL GRADE:

INTEK I/C AND VANGUARD:

HONDA:

ENGINE OIL CAPACITY:

INTEK I/C:

VANGUARD:

HONDA:

PUMP OIL GRADE:

PUMP OIL CAPACITY:

NOZZLE SIZE:

**ABOVE 40°F = SAE30/BELOW 40°F= SAE10W-30
SAE10W-30**

28 OZ.

40 OZ.

37 OZ.

Mi-T-M PUMP OIL #AW-4085-0016

14 OZ.

3.5

This Parts Listing has been compiled for your benefit. You can be assured your Mi-T-M Cold Water Pressure Washer was constructed and designed with quality and performance in mind using over 25 years experience in the pressure washer business. Each component has been rigorously tested to insure the highest level of acceptance.

The contents of this Parts Listing are based on the latest product information available at the time of publication. Mi-T-M reserves the right to make changes in price, color, materials, equipment, specifications or models at any time without notice.

WARNING

THIS IS A PROFESSIONAL HIGH PRESSURE, COLD WATER PRESSURE WASHER. CAUTION SHOULD BE OBSERVED WHEN USING OR REPAIRING THIS UNIT! READ AND FOLLOW THE SAFETY WARNINGS LISTED BELOW BEFORE ATTEMPTING ANY REPAIRS ON THIS PRESSURE WASHER!

SAFETY WARNINGS

1. NEVER alter or modify the equipment. Be sure any accessory items and system components being used will withstand the pressure developed. Use only genuine Mi-T-M parts for repair of your pressure washer. Failure to do so can cause hazardous operating conditions and will VOID warranty.
2. NEVER make adjustments on machinery while the unit is connected to the engine without first removing the ignition cable from the spark plug. Turning over the machinery by hand during adjustment or cleaning might start the engine and machinery with it, causing serious injury to the operator.
3. Know how to stop and bleed pressures quickly. Be thoroughly familiar with controls.
4. Before servicing the unit, turn unit off, relieve the water pressure and allow the unit to cool down. Do not make repairs while the unit is running. Service in a clean, dry, flat area. Block the wheels to prevent the unit from moving. Be especially careful to properly dispose of any flammable materials.
5. After testing the machine, DO NOT leave the pressurized unit unattended. Shut off the unit and release trapped pressure before leaving.

Table of Contents

SPECIFICATIONS 3

FRAME ASSEMBLY FOR WP-3000-0MIB 4

FRAME ASSEMBLY FOR WP-3000-0MVB 6

FRAME ASSEMBLY FOR WP-3003-0MHB 8

PUMP ASSEMBLY (3-0147) 10

PUMP SERVICE GUIDE 12

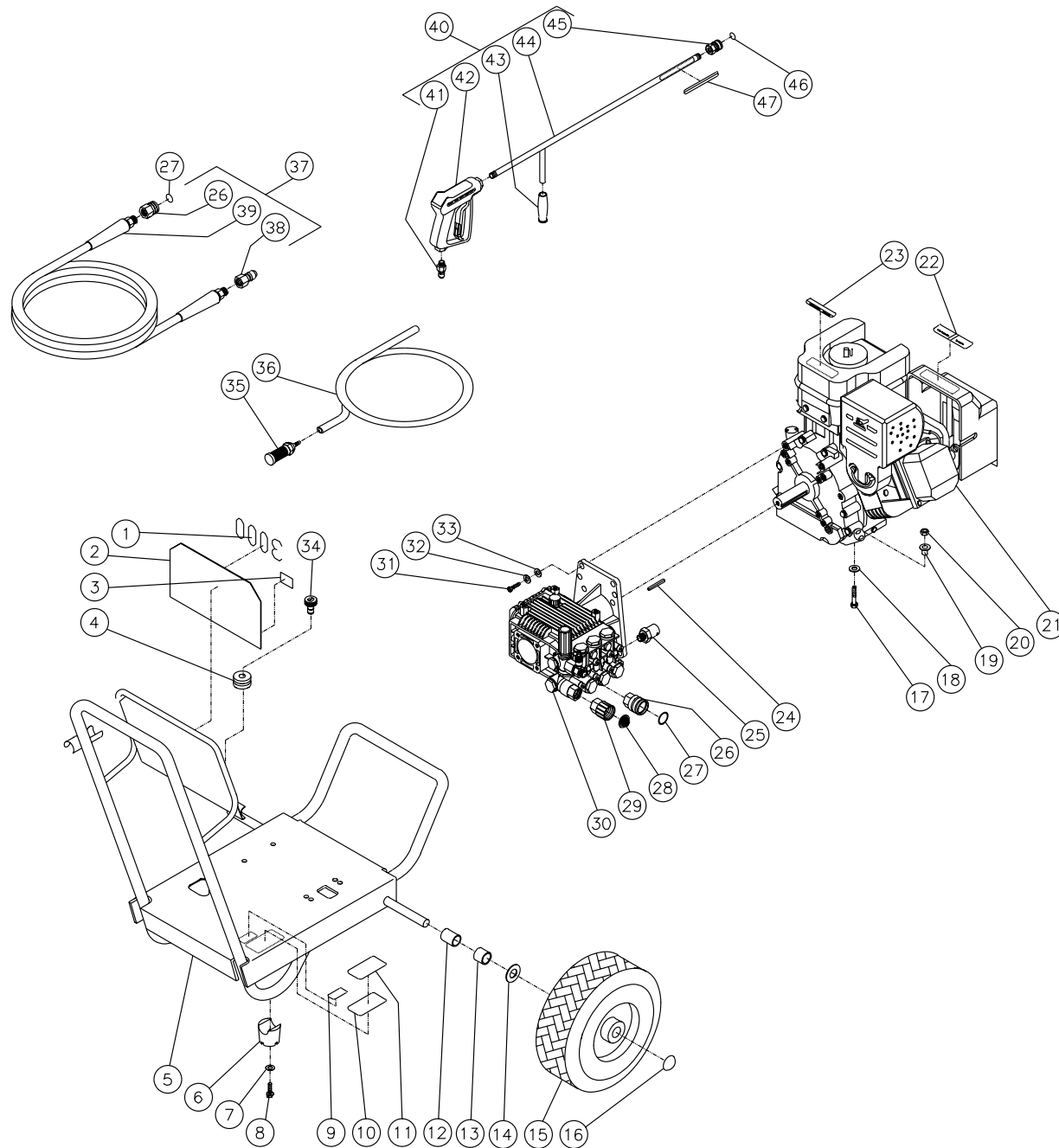
GUN ASSEMBLY (16-0001) 14

SPECIFICATIONS

WP-3000-0MIB/0MVB & WP-3003-0MHB

MODEL NUMBER	WP-3000-0MIB	WP-3000-0MVB	WP-3003-0MHB
Operating Pressure (PSI/Bar):	3000/206		
High Pressure Nozzle:	3.5		
Water Volume (GPM/lpm):	3.0/11		
Engine:	B & S Intek I/C	B & S Vanguard	Honda
Horsepower	10.0	9.0	
Engine Type	4 Stroke, Overhead Valve, Single Cylinder		
Oil Type	Above 40 F = SAE30/Below 40 F = SAE10W-30		SAE10W-30
Oil Capacity (oz./liters)	24/.7	40/1.2	37/1.1
Low Oil Protection	Oil Guard		Oil Alert
Fuel Type	Unleaded Gasoline 86 Octane Minimum		
Fuel Capacity (gallon/ liters)	1.0/3.8	2.0/7.6	1.6/6.0
Starting	Recoil		
Maximum No Load RPM	3600 (+/- 100) RPM		
Pump:	Direct Driven, Oil Bath, Triplex Piston		
Oil Type	Mi-T-M Pump Oil #AW-4085-0016		
Oil Capacity (oz./liters)	14/.4		
Plungers	Ceramic		
Manifold	Forged Brass		
Valves	Stainless Steel		
Unloader	Adjustable		
Heat Dump Valve	Relieves heated water during unloader bypass stage		
Detergent Injector	Adjustable low pressure down stream from pump		
Unit Net Weight (lbs/Kg)	113/51	123/56	121/55
Unit Shipping Weight (lbs/Kg)	167/76	177/80	175/79
Unit Net Dimension (in/cm)	35Lx22.5Wx26H/89Lx57Wx66H		
Unit Shipping Dimension (in/cm)	39.5Lx25Wx31.5H/100.5Lx63.5Wx80H		

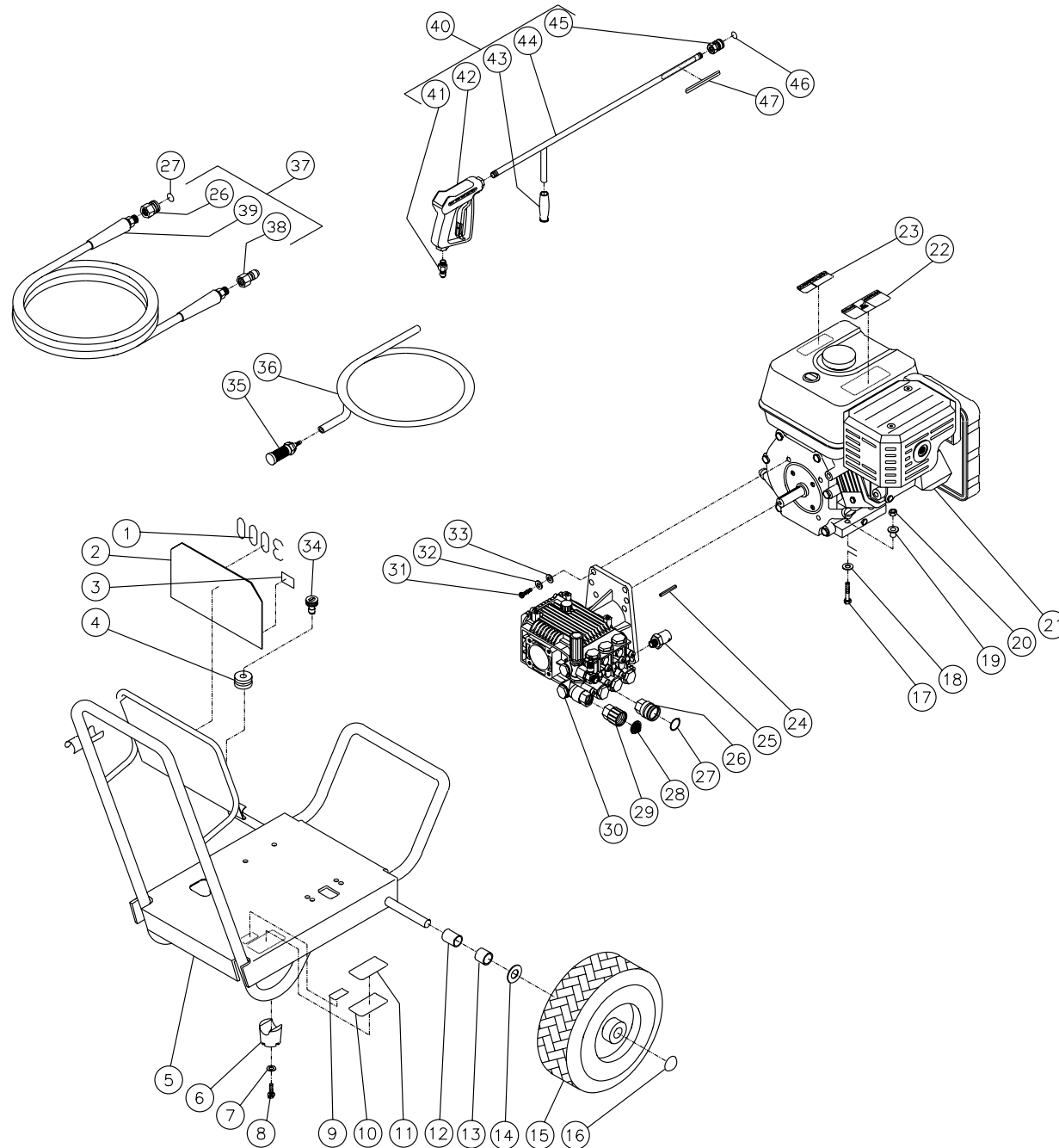
FRAME ASSEMBLY FOR WP-3000-0MIB



WP-3000-0MIB-011700-EW

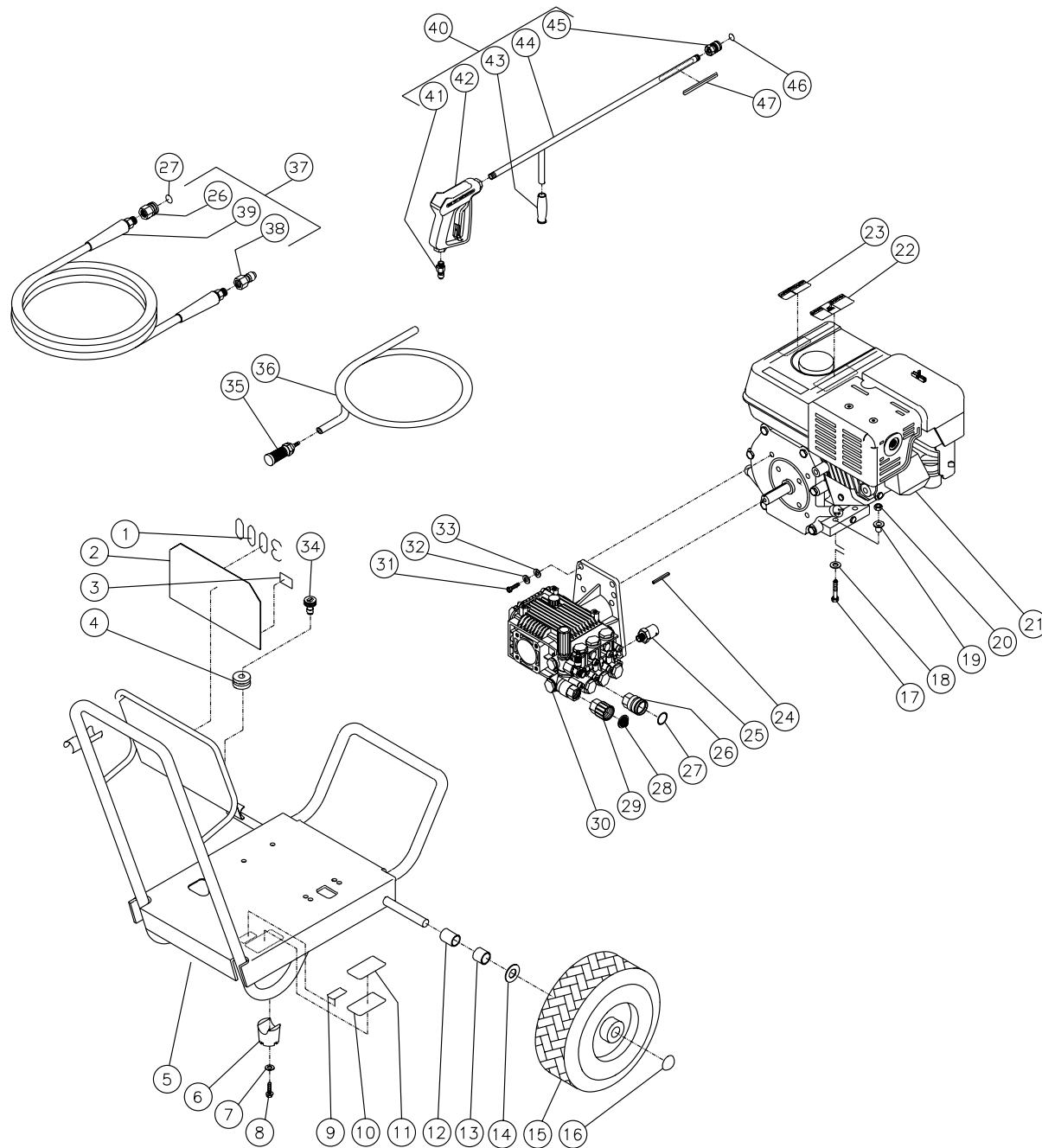
FRAME ASSEMBLY FOR WP-3000-0MIB							
REF. #	DESCRIPTION	PART #	QTY.	REF. #	DESCRIPTION	PART #	QTY.
1	Decal- 3000 Die Cut	34-0775	1	26	Quick Connect Socket	17-0004	2
2	Decal- Warning/Caution/Operation (E/S)	34-0737	1	27	O-ring (Replacement)	25-0123	-
3	Decal- American Flag	34-0521	1	28	Filter	19-0001	1
4	Grommet	33-0001	5	29	Garden Hose Swivel	23-0095	1
5	Frame	5-0124A20	1	30	Pump	3-0147	1
6	Isolator	14-0066	2	31	Bolt	27-0118	4
7	Washer	28-0021	2	32	Lockwasher	29-0008	4
8	Screw	27-3096	2	33	Washer	28-0022	4
9	Decal- Serial Number	N/A	1	34	Nozzle- 1503.5	18-0258	1
10	Decal- Data Plate	N/A	1	-	Nozzle- 2503.5	18-0259	1
11	Decal- Clear Laminate	N/A	1	-	Nozzle- 6540	18-0148	1
12	Axle Spacer	20-0313A01	2	35	Detergent Strainer	19-0050	1
13	Axle Spacer	20-0314A01	2	36	Detergent Hose *(Four Feet Required)	15-0021	1
14	Washer	28-0008	5	37	Pressure Hose Assembly (Inc. 26, 38, 39)	851-0007	1
15	Wheel	14-0017	2	38	Quick Connect Plug	17-0006	1
16	Hubcap	33-0018	2	39	Pressure Hose	15-0003	1
17	Bolt	27-0070	4	40	Gun/Wand Assembly (Inc. 41-45)	851-0095	1
18	Washer	28-0003	4	41	Quick Connect Plug	17-0005	1
19	Shim	33-0169	4	42	Gun	16-0001	1
20	Locknut	30-0157	4	43	Grip Handle	7-0002	1
21	Engine- 10 H.P. Briggs & Stratton Intek V/C	1-0116	1	44	Wand	16-0120A01	1
22	Decal- Warning: Muffler Hot (E/S)	34-0598	1	45	Quick Connect Socket	17-0001	1
23	Decal- Caution: Allow to Cool (E/S)	34-0599	1	46	O-ring (Replacement)	25-0122	-
24	Key	43-0078	1	47	Decal- Warning: Risk of Injection (English Only)	34-0572	1
25	Heat Dump Valve	22-0005	1	*Must Order in One Foot Lengths			

FRAME ASSEMBLY FOR WP-3000-0MVB



FRAME ASSEMBLY FOR WP-3000-0MVB							
REF. #	DESCRIPTION	PART #	QTY.	REF. #	DESCRIPTION	PART #	QTY.
1	Decal- 3000 Die Cut	34-0775	1	26	Quick Connect Socket	17-0004	2
2	Decal- Warning/Caution/Operation (E/S)	34-0737	1	27	O-ring (Replacement)	25-0123	-
3	Decal- American Flag	34-0521	1	28	Filter	19-0001	1
4	Grommet	33-0001	5	29	Garden Hose Swivel	23-0095	1
5	Frame	5-0124A20	1	30	Pump	3-0147	1
6	Isolator	14-0066	2	31	Bolt	27-0118	4
7	Washer	28-0021	2	32	Lockwasher	29-0008	4
8	Screw	27-3096	2	33	Washer	28-0022	4
9	Decal- Serial Number	N/A	1	34	Nozzle- 1503.5	18-0258	1
10	Decal- Data Plate	N/A	1	-	Nozzle- 2503.5	18-0259	1
11	Decal- Clear Laminate	N/A	1	-	Nozzle- 6540	18-0148	1
12	Axle Spacer	20-0313A01	2	35	Detergent Strainer	19-0050	1
13	Axle Spacer	20-0314A01	2	36	Detergent Hose *(Four Feet Required)	15-0021	1
14	Washer	28-0008	5	37	Pressure Hose Assembly (Inc. 26, 38, 39)	851-0007	1
15	Wheel	14-0017	2	38	Quick Connect Plug	17-0006	1
16	Hubcap	33-0018	2	39	Pressure Hose	15-0003	1
17	Bolt	27-0070	4	40	Gun/Wand Assembly (Inc. 41-45)	851-0095	1
18	Washer	28-0003	4	41	Quick Connect Plug	17-0005	1
19	Shim	33-0169	4	42	Gun	16-0001	1
20	Locknut	30-0157	4	43	Grip Handle	7-0002	1
21	Engine- 9.0 H.P. Briggs & Stratton Vanguard	1-0070	1	44	Wand	16-0120A01	1
22	Decal- Warning: Muffler Hot (E/S)	34-0598	1	45	Quick Connect Socket	17-0001	1
23	Decal- Caution: Allow to Cool (E/S)	34-0599	1	46	O-ring (Replacement)	25-0122	-
24	Key	43-0078	1	47	Decal- Warning: Risk of Injection (English Only)	34-0572	1
25	Heat Dump Valve	22-0005	1	*Must Order in One Foot Lengths			

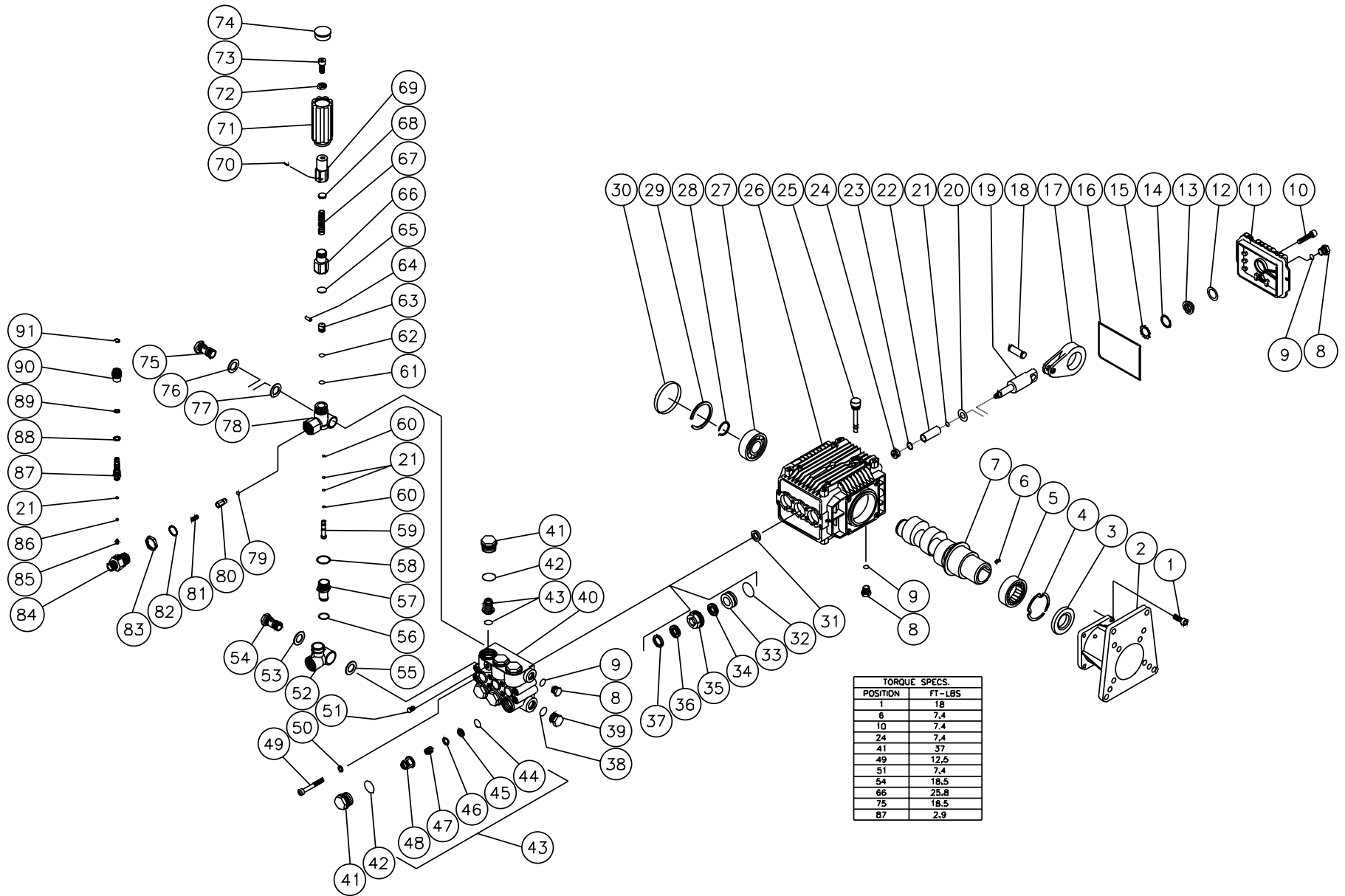
FRAME ASSEMBLY FOR WP-3003-0MHB



WP-3003-0MHB-011700-RD

FRAME ASSEMBLY FOR WP-3003-0MHB							
REF. #	DESCRIPTION	PART #	QTY.	REF. #	DESCRIPTION	PART #	QTY.
1	Decal- 3000 Die Cut	34-0775	1	26	Quick Connect Socket	17-0004	2
2	Decal- Warning/Caution/Operation (E/S)	34-0737	1	27	O-ring (Replacement)	25-0123	-
3	Decal- American Flag	34-0521	1	28	Filter	19-0001	1
4	Grommet	33-0001	5	29	Garden Hose Swivel	23-0095	1
5	Frame	5-0124A20	1	30	Pump	3-0147	1
6	Isolator	14-0066	2	31	Bolt	27-0118	4
7	Washer	28-0021	2	32	Lockwasher	29-0008	4
8	Screw	27-3096	2	33	Washer	28-0022	4
9	Decal- Serial Number	N/A	1	34	Nozzle- 1503.5	18-0258	1
10	Decal- Data Plate	N/A	1	-	Nozzle- 2503.5	18-0259	1
11	Decal- Clear Laminate	N/A	1	-	Nozzle- 6540	18-0148	1
12	Axle Spacer	20-0313A01	2	35	Detergent Strainer	19-0050	1
13	Axle Spacer	20-0314A01	2	36	Detergent Hose *(Four Feet Required)	15-0021	1
14	Washer	28-0008	5	37	Pressure Hose Assembly (Inc. 26, 38, 39)	851-0007	1
15	Wheel	14-0017	2	38	Quick Connect Plug	17-0006	1
16	Hubcap	33-0018	2	39	Pressure Hose	15-0003	1
17	Bolt	27-0070	4	40	Gun/Wand Assembly (Inc. 41-45)	851-0095	1
18	Washer	28-0003	4	41	Quick Connect Plug	17-0005	1
19	Shim	33-0169	4	42	Gun	16-0001	1
20	Locknut	30-0157	4	43	Grip Handle	7-0002	1
21	Engine- 9.0 H.P. Honda	1-0065	1	44	Wand	16-0120A01	1
22	Decal- Warning: Muffler Hot (E/S)	34-0598	1	45	Quick Connect Socket	17-0001	1
23	Decal- Caution: Allow to Cool (E/S)	34-0599	1	46	O-ring (Replacement)	25-0122	-
24	Key	43-0078	1	47	Decal- Warning: Risk of Injection (English Only)	34-0572	1
25	Heat Dump Valve	22-0005	1	*Must Order in One Foot Lengths			

PUMP ASSEMBLY (3-0147)



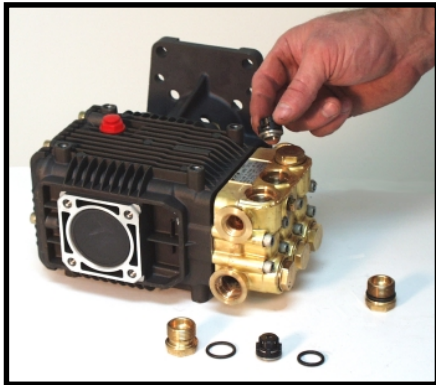
3-0147-081099-RD

PUMP ASSEMBLY (3-0147)											
REF. #	DESCRIPTION	PART #	QTY.	REF. #	DESCRIPTION	PART #	QTY.	REF. #	DESCRIPTION	PART #	QTY.
1	Bolt	27-8432	4	34	Low Pressure Seal (See 70-0181)	N/A Sep.	3	67	Spring	49-0132	1
2	Flange	46-0714	1	35	Packing Retainer	46-0728	3	68	Spring Button	8-0475	1
3	Oil Seal	26-0192	1	36	V-Packing (See 70-0181)	N/A Sep.	3	69	Adjustable Barrel	8-0476	1
4	Retaining Ring	46-0667	1	37	Support Ring (See 70-0182)	N/A Sep.	3	70	Pin	8-0477	1
5	Needle Bearing	48-0059	1	38	O-ring	25-0372	1	71	Unloader Knob	7-0141	1
6	Set Screw	27-8886	1	39	Plug	39-0088	1	72	Nut	30-3025	1
7	Crankshaft	46-0717	1	40	Manifold	46-0730	1	73	Bolt	27-8433	1
8	Plug	39-0086	3	41	Valve Cap	39-0087	6	74	Cap	7-0142	1
9	O-ring	25-0325	3	42	O-ring	25-0160	6	75	Adaptor	8-0448	1
10	Bolt	27-8888	6	43	Single Valve Assembly (Inc. 44-48) (See 70-0161)	N/A Sep.	6	76	Washer	8-0449	1
11	Crankcase Cover	46-0719	1	44	O-ring	25-0386	6	77	Washer	8-0450	1
12	O-ring	25-0370	1	45	Valve Seat (See 70-0161)	N/A Sep.	6	78	Unloader Body	8-0451	1
13	Oil Sight Glass	46-0670	1	46	Valve Plate (See 70-0161)	N/A Sep.	6	79	O-ring	25-0437	1
14	Reflector	46-0824	1	47	Valve Spring (See 70-0161)	N/A Sep.	6	80	Check Valve	8-0454	1
15	Retainer	46-0671	1	48	Valve Cage (See 70-0161)	N/A Sep.	6	81	Spring	49-0123	1
16	O-ring	25-0398	1	49	Head Bolt	27-8875	8	82	O-ring (See 70-0232)	25-0372	1
17	Connecting Rod	46-0720	3	50	Lockwasher	29-0153	8	83	Tightener Nut	8-0497	1
18	Piston Pin	46-0721	3	51	Plug	39-0097	1	84	Injector Adapter	8-0498	1
19	Plunger Rod	46-0722	3	52	Inlet By-Pass Adapter	8-0437	1	85	Spring (See 70-0232)	N/A Sep.	1
20	Washer	28-1022	3	53	Washer	8-0440	1	86	Ball (See 70-0232)	N/A Sep.	1
21	O-ring	25-0371	6	54	Adapter	8-0438	1	87	Barb	8-0499	1
22	Piston	46-0723	3	55	Washer	8-0439	1	88	O-ring (See 70-0232)	N/A Sep.	1
23	Washer	26-0187	3	56	O-ring (See 70-0180)	N/A Sep.	1	89	O-ring (See 70-0232)	N/A Sep.	1
24	Piston Nut	30-6016	3	57	Nipple	8-0441	1	90	Adjustable Detergent Knob	7-0152	1
25	Oil Dipstick	39-0090	1	58	O-ring (See 70-0180)	N/A Sep.	1	91	Snap Ring	N/A Sep.	1
26	Crankcase	46-0724	1	59	Piston	8-0442	1		High Pressure Seal Kit (Inc. 3 each 32, 34, 36)	70-0181	
27	Bearing	48-0063	1	60	Back-up Ring (See 70-0180)	N/A Sep.	2		Support Ring Kit (Includes 3 each 37)	70-0182	
28	Retaining Ring	46-0732	1	61	O-ring (See 70-0180)	N/A Sep.	1		Valve Kit (Includes 6 each 44-48)	70-0161	
29	Retaining Ring	46-0676	1	62	Back-up Ring (See 70-0180)	N/A Sep.	1		Unloader Repair Kit (Inc. 21, 56, 58, 60-62, 79)	70-0180	
30	Bearing Cap	46-0725	1	63	Poppet	8-0443	1		Injector Kit (Inc. 21, 82-91)	70-0232	
31	Oil Seal	26-0193	3	64	Pin	8-0444	1		Unloader Complete (Inc. 21, 52-81)	8-0456	
32	O-ring	25-0399	3	65	Spring Button	8-0445	1		Injector Repair Kit (Inc. 21, 82, 85, 86, 88, 89, 91)	70-0233	
33	Low Pressure Retainer	46-0726	3	66	Guide Spring	8-0474	1				

PUMP SERVICE GUIDE

USE THE PARTS LIST ON THE PREVIOUS PAGE TO REORDER PARTS NEEDED TO SERVICE YOUR PUMP.

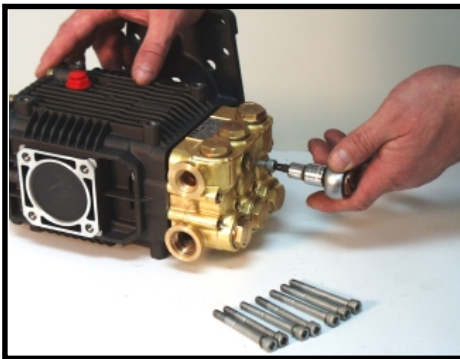
FIG. A



REPLACING THE VALVE ASSEMBLY:

1. In order to maintain optimum pump performance, replace all the valves at one time. The valve assemblies can be replaced without disrupting plumbing.
2. Remove the valve cap from the manifold.
3. Inspect the o-ring on the valve cap for deterioration. Replace if necessary.
4. Remove the valve assembly from the valve cavity (Fig. A).
5. Remove the o-ring inside the bottom of the valve cavity. Check for signs of severe deterioration of the o-ring. This could reflect excessive wear in the valve cavity of the manifold which is a *normal* occurrence in pumps with an extended life (over 1000 hours). Check the manifold and replace if necessary. (Note: *Normal* wear in the manifold is not covered under warranty.)
6. Install the new o-ring into the bottom of the valve cavity, then place the new valve assembly into the valve cavity.
7. Reinstall the valve cap and torque to 37 Ft-lbs (444 in-lbs).

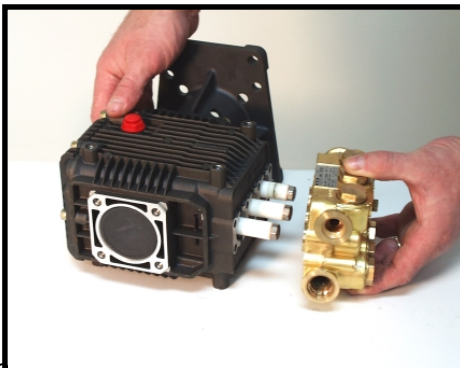
FIG. B



REMOVING THE MANIFOLD:

1. Remove the head bolts on the manifold (Fig. B).

FIG. C

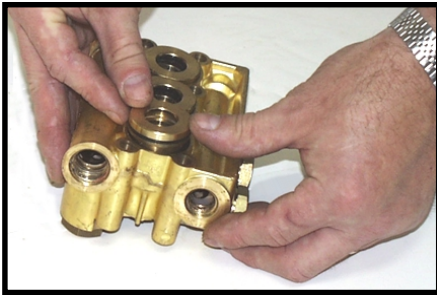
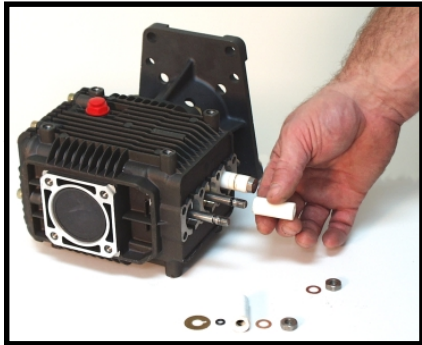
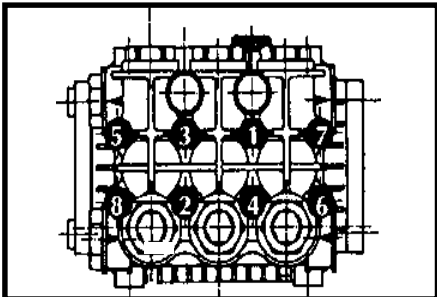
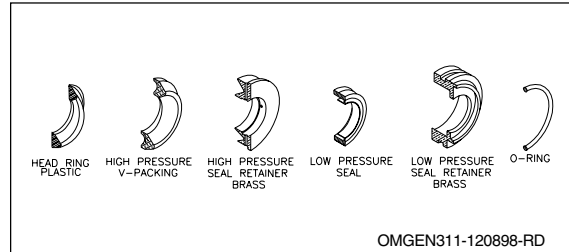


⚠ CAUTION **RISK OF DAMAGE**

USE CAUTION NOT TO DAMAGE THE PLUNGERS WHEN REMOVING THE MANIFOLD HEAD FROM THE CRANKCASE.

2. Pull the manifold head from the crankcase (Fig. C). Rotate the crankshaft or tap the manifold head lightly with a rubber mallet to loosen if necessary.

NOTE: The V-packing assemblies may come off with the manifold head. If this happens, reinsert the V-packings in the order given in the "V-Packing Cross Section" illustration shown on the following page.

FIG. D**FIG. E****FIG. F****FIG. G****FIG. H****V-PACKING CROSS SECTION****REPLACING V-PACKINGS:**

1. In order to maintain optimum pump performance, replace all the V-Packings at one time. The manifold must be removed from the crankcase before performing this procedure. Use of an extractor is highly recommended for V-packing removal.
2. Insert the extractor through the center of the V-packing (Fig. D) and pull the V-Packing from the manifold (Fig. E).
3. Install the V-Packings in the order shown in the drawing at left.
NOTE: A film of grease on the o-rings ensure easier installation.
4. Move on to replace plungers if necessary. If plungers do not need replacing, reinstall the manifold head as described in "Reinstalling the Manifold" (Fig. F).

REPLACING PLUNGERS:

1. Remove piston nut and washer from the piston rod.
2. Examine the plungers for cracks and wear. Replace if necessary.
3. Remove the plunger (Fig. G). If the slinger washer comes off with the plunger, replace it before installing the new plunger.
4. Install the replacement parts over the piston guide in the order given:
-Anti-extrusion ring, O-ring, Plunger, Washer.

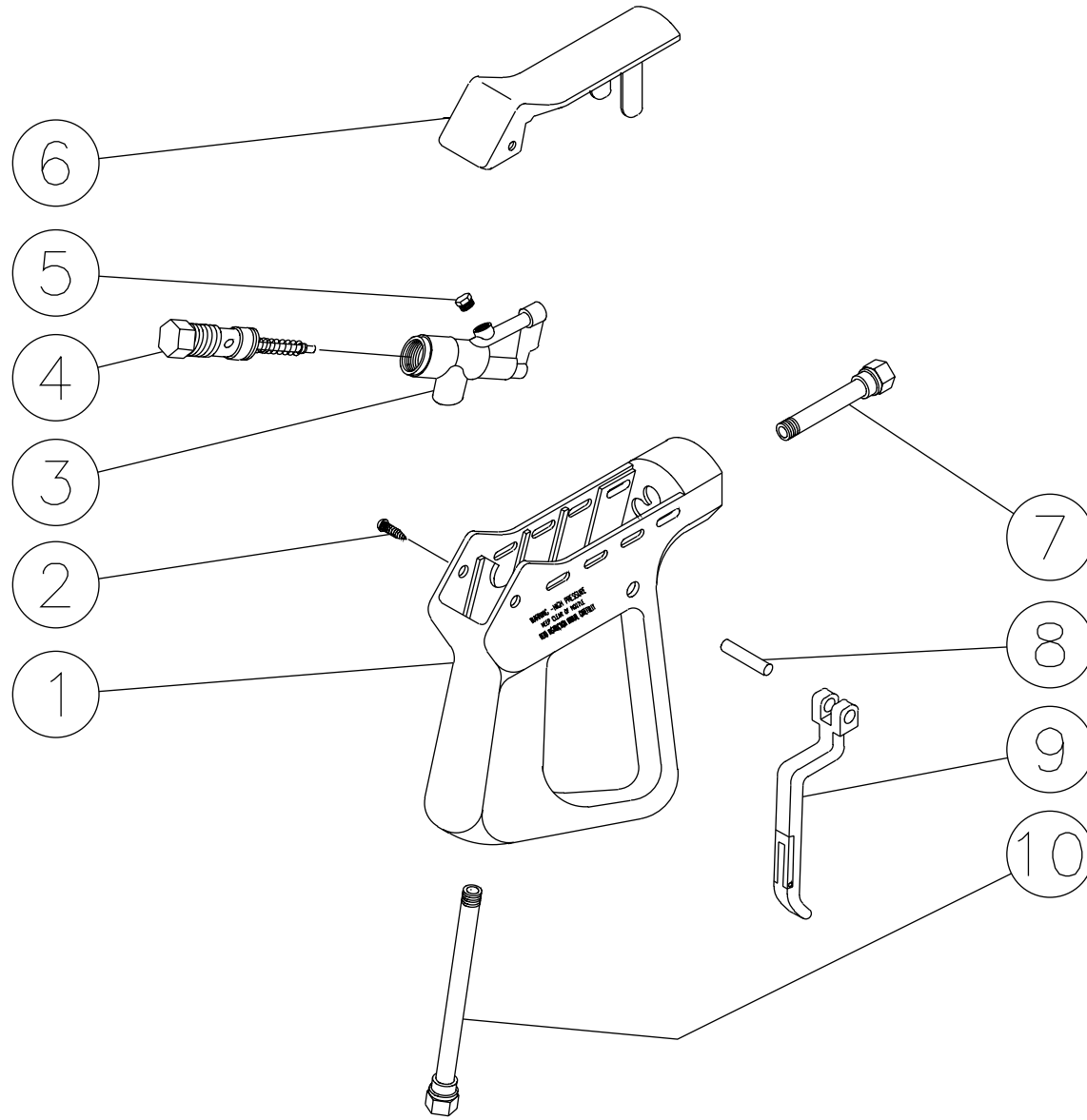
NOTE: A film of grease on the o-ring ensures easier installation.

5. Apply thread sealant to the piston guide threads.
6. Install the piston nut and torque to 7.4 Ft-lbs (89 in-lbs).

REINSTALLING THE MANIFOLD:

1. Apply a coat of grease to each plunger and reinstall the manifold head, taking care not to damage the plungers.
2. Install and tighten the head bolts as shown in the sequence at left (Fig. H). Use your fingers first, then at half the torque specified for your pump. Perform a final torque to 12.5 Ft-lbs (150 in-lbs).

GUN ASSEMBLY (16-0001)



16-0001-110399-RD

GUN ASSEMBLY (16-0001)			
REF. #	DESCRIPTION	PART #	QTY.
1	Plastic Housing	16-0008	1
2	Screw	27-3230	2
3	Brass Housing	16-0012	1
4	Gun Repair Kit	70-0055	1
5	Brass Plug	39-0024	1
6	Plastic Cover	16-0009	1
7	Pipe Assembly	16-0013	1
8	Trigger Pin	16-0063	1
9	Trigger/Safety Lock-off	16-0010	1
10	Pipe Assembly- Inlet	16-0016	1
	Complete Gun Assembly	16-0001	1

